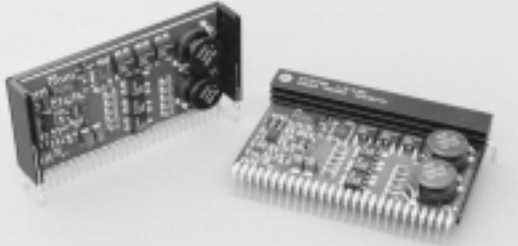


Description

The PT7741 is a high-output 32 Amp “Current Booster” designed to operate with the PT7775 and PT7779 regulators. Up to two PT7741 boosters will operate in parallel with one regulator, boosting output current in increments of 32A. Combinations of one regulator and PT7741 current boosters can supply enough power for virtually any multiple mega-processor application.

The booster adds a parallel output stage that is driven directly by the regulator. Both operate in perfect synchronization for a low noise solution.

The PT7741 only operates with the PT7775 and PT7779 regulators. It is not a stand-alone product. Please refer to the appropriate data sheet for the performance specifications. The current booster has the same package options as the companion regulators.



Features

- 32A Current Boost
- Tracks V_o of either a PT7775 or PT7779
- High Efficiency
- Input Voltage Range: 4.5V to 5.5V
- Synchronized with Regulator
- 27-pin SIP Package
- Run up to 2 in Parallel (96A)

Pin-Out Information

Pin	Function	Pin	Function
1	Do not connect	14	GND
2	Do not connect	15	GND
3	Do not connect	16	GND
4	Do not connect	17	GND
5	Do not connect	18	GND
6	Do not connect	19	GND
7	V_{in}	20	V_{out}
8	V_{in}	21	V_{out}
9	V_{in}	22	V_{out}
10	V_{in}	23	V_{out}
11	V_{in}	24	V_{out}
12	Do not connect	25	V_{out}
13	GND	26	Do not connect
		27	Master Sync In

Ordering Information

PT7741□

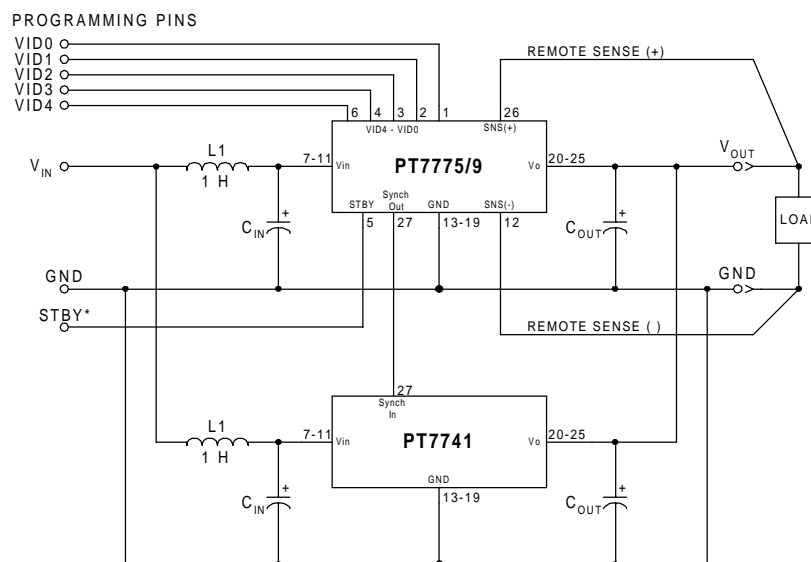
(For dimensions and PC Board layout, see Package Styles 1020 and 1030.)

PT Series Suffix (PT1234X)

Case/Pin Configuration

Vertical Through-Hole	N
Horizontal Through-Hole	A
Horizontal Surface Mount	C

Standard Application



External Capacitors: When used with a PT7779, the PT7741 requires a minimum output capacitance of 330 μ F. The maximum allowable output capacitance is 30,000 μ F. The PT7741 also requires a minimum input capacitance of 2400 μ F, which must be rated for a minimum of 2.0Arms of ripple current. For transient or dynamic load applications, additional capacitance may be required. For further information, see the accompanying application note on capacitor selection for this product.

Input Filter: An input filter inductor is optional for most applications. The input inductor must be sized to handle 32ADC with a typical value of 1 μ H.